



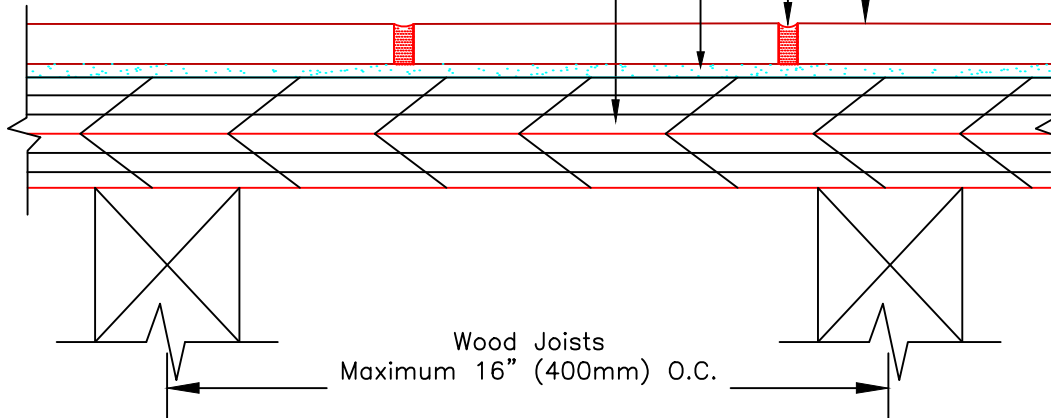
# Drawing No. ES F150

Ceramic Tile or Stone

SPECTRALOCK<sup>®</sup> PRO Premium Grout;  
or, PERMACOLOR<sup>®</sup> Select

Tile Installation Mortar\*

Double Layer Exterior Glue Plywood  
5/8" (16mm) – 1 1/4" total



\* Tile installation mortar to be either 254 Platinum, 257 TITANIUM<sup>™</sup> or MULTIMAX<sup>™</sup> LITE.

Revision Date: 11/21

Scale: N.T.S.

AS A PROFESSIONAL COURTESY, LATICRETE OFFERS TECHNICAL SERVICES FREE OF CHARGE. THE USER MAINTAINS ALL RESPONSIBILITY FOR VERIFYING THE APPLICABILITY AND SUITABILITY OF THE TECHNICAL SERVICE OR INFORMATION PROVIDED.

(C)2021 LATICRETE INTERNATIONAL, INC. ALL RIGHTS RESERVED. THE RIGHT TO UTILIZE LATICRETE DETAILS FOR COMMERCIAL PURPOSES IS GRANTED EXCLUSIVELY TO CONTRACTORS, ARCHITECTS, QUANTITY SURVEYORS, ENGINEERS, AND SPECIFICATIONS WRITERS. ALL TRADEMARKS SHOWN ARE THE INTELLECTUAL PROPERTIES OF THEIR RESPECTIVE OWNERS.