

1

2

3

4

5

6

7

REVISIONS

CUSTOMER APPROVAL

DATE

ZONE	REV.	CUSTOMER REV.	RELEASE #	DESCRIPTION	DATE	APPROVED
------	------	---------------	-----------	-------------	------	----------

A

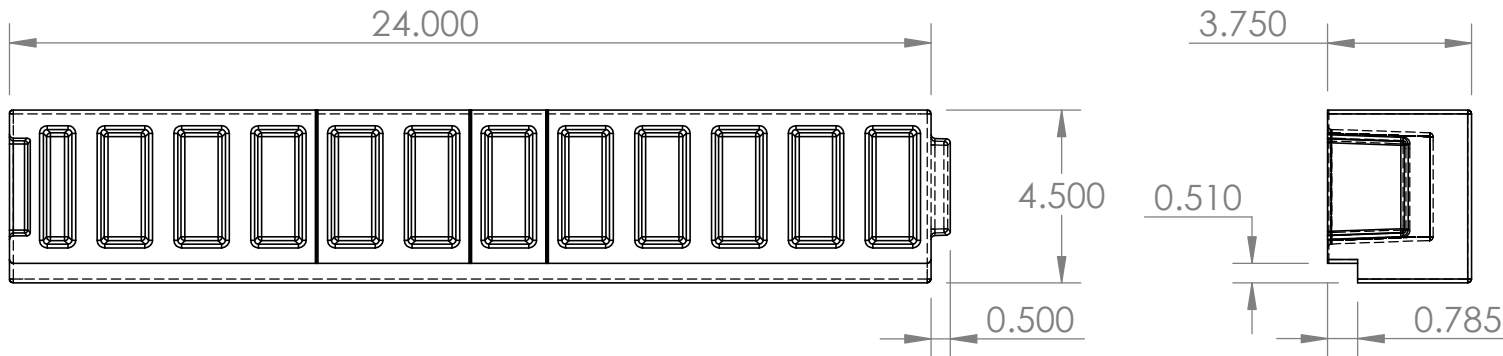
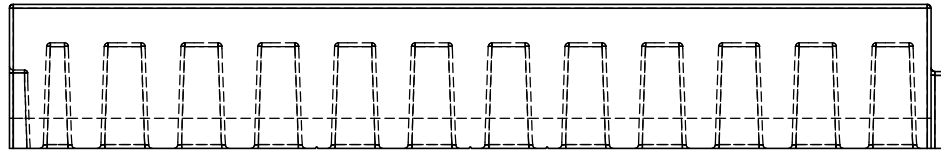
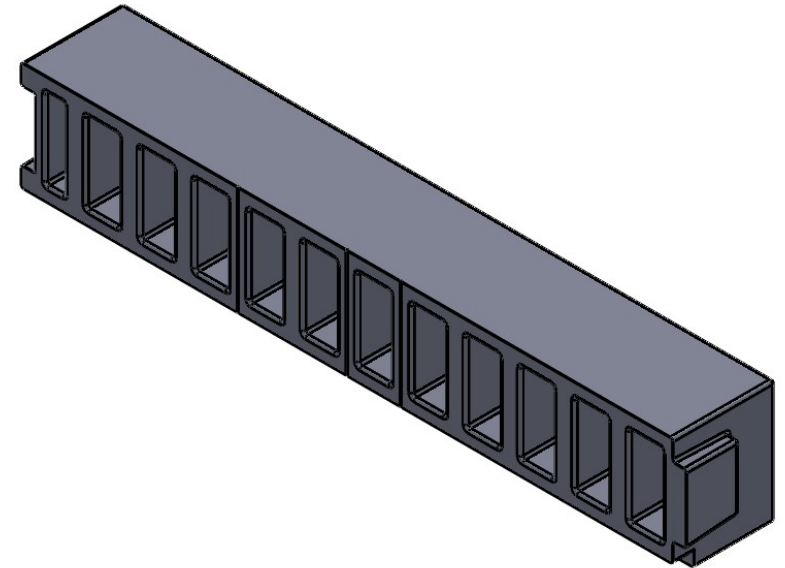
B

C

D

E

F



THIRD ANGLE PROJECTION

PRINTED COPIES ARE UNCONTROLLED AND CONSIDERED "FOR REFERENCE ONLY".
SEE DCS FOR LATEST REVISION.

CONFIDENTIAL AND PROPRIETARY INFORMATION:
NOT TO BE USED OR REPRODUCED WITHOUT THE PERMISSION OF PLYMOUTH FOAM LLC

GENERATED FROM 3D SOLID MODEL

DATA IS MASTER

DRAWN BY: M SCHROEDER

DATE: 5/7/2019

DATE CREATED: Wednesday, August 1, 2018 8:27:04 AM

UNITS ARE IMPERIAL.
TOLERANCES: ±.043 UNLESS OTHERWISE STATED.

CUSTOMER: LATICRETE

PART NAME: 24" CURB - REVISED

INSPECTION DIMENSIONS, FEATURES OR NOTES, REQUIRE PROCESS CONTROL PER CONTROL PLAN.

PFI PART NUMBER: 9243-0024-C rev B curb 24 050719

PFI CAD NUMBER (IF DIFFERENT):

MATERIAL:

SURFACE CLASS: B