



Globally Proven
Construction Solutions

STRATA_HEAT™ Wi-Fi Thermostat

Welcome to STRATA_HEAT™ Wi-Fi Thermostat

See reverse for installation guide

Operating Guide

Guide d'utilisation

Guía de funcionamiento

LATICRETE

09:48

tue 25 apr

82
°F ▲
floor

82 until 12:30

76 air



57

TEST MONTHLY

INTRODUCTION

The **STRATA_HEAT™ Wi-Fi Thermostat** default screen is the home screen. Pressing the temperature figure in the centre of the screen allows you to override it. Pressing the menu button allows you to start programming and setting up the **STRATA_HEAT Wi-Fi Thermostat**. You'll often find a **help** button on pages with several options to give more information.

If you do not press any button for 1 minute, the **STRATA_HEAT Wi-Fi Thermostat** screen will dim and revert to the home screen. To wake the **STRATA_HEAT Wi-Fi Thermostat** just tap the screen or press **Wake**.

The icons at the bottom of the screen are your STRATAHEAT Apps. These can be set up on MySTRATAHEAT.

To turn the thermostat on or off, press the power button on the bottom of the device for 3 seconds.

MySTRATAHEAT

You can also program and set-up your **STRATA_HEAT Wi-Fi Thermostat** with your tablet or computer by visiting mystrataheat.com.

If you use a smartphone to access **MySTRATAHEAT**, you will be shown a mobile version which gives quick access to important features like **Smart Overrides**. If you want to set up your **STRATA_HEAT Wi-Fi Thermostat** using a smartphone you will have to ensure you access the desktop version of the website. This can be changed in the browser settings of your phone or by clicking the link at the bottom of the mobile page.



LATICRETE

Set wi-fi network?

yes

no

back

TEST MONTHLY

GETTING STARTED

On initial power up the **STRATA_HEAT™ Wi-Fi Thermostat** will ask you to connect to a Wi-Fi network. Once connected you will be asked to create a **MySTRATAHEAT** account. If you skip the Wi-Fi connection stage, you will be guided through an offline setup procedure (with the options shown below) and can set up a **MySTRATAHEAT** account at a later date.

- Language
- Internet Settings
- Time
- Date
- Daylight Savings
- Heating Type
- Temperature Display
- Theme
- Brightness
- Audio Feedback
- Floor Type
- Heating Control Type
- Heating Program Schedule

IMPORTANT!

Ensure you choose the correct **System Type**. Electric (underfloor), Hydronic (underfloor) or Conventional (central heating with radiators).

LATICRETE

To complete setup
your device number is
5C-F8-A1-5F-17-5B-2C6

cancel

TEST MONTHLY

CONNECTING TO MYSTRATAHEAT

Once your STRATA_HEAT™ Wi-Fi Thermostat is powered up, you need to create your MySTRATAHEAT account. Navigate your web browser to mystrataheat.com.

Enter your email address and create a password for your account. You will be sent a confirmation email when your account is set up. Make sure you check your spam folder as well as your inbox.

When you've received your account activation email, you can connect your STRATA_HEAT Wi-Fi Thermostat to the account. Ensure your STRATA_HEAT Wi-Fi Thermostat is connected to the internet. If you see an error icon on the homescreen (see below), then your thermostat is not connected to the internet.

If you cannot connect to the internet, you may skip this stage and connect at a later date.



Not connected to Server



No Wi-Fi Connection

If you see these icons, visit our Online Technical Assistance website:
latitude.com/technical

When your STRATA_HEAT Wi-Fi Thermostat is connected to the internet, just enter the unique codes displayed on the connection screen into MySTRATAHEAT. Your STRATA_HEAT Wi-Fi Thermostat will then be connected.

LATICRETE

monday

tuesday

wednesday

thursday

friday

saturday

sunday

back

help

accept

TEST MONTHLY

SET YOUR HEATING PROGRAM

With your STRATA_HEAT™ Wi-Fi Thermostat, you can choose to set a custom heating schedule, fixed temperature or a preset program designed for different rooms.

To adjust the program, highlight the days that you want to program by pressing them, then press **Program**. You can select multiple days in any combination, such as weekdays only, to program separate weekday and weekend temperatures. To do this, program all the weekdays at once and then program the weekend when you're finished.

The programming works by setting Comfort Periods of warm temperatures, shown with a green line. Any time not covered by a Comfort Period will use a lower Setback temperature to save energy. The default setback temperature is 60°F (15°C). This can be changed once you've set up your program if needed.

You can add up to 5 Comfort Periods per day and when you've set what you want, just press **Done**. You'll see the summary of your program which you can edit by repeating the steps above, or just press **Accept** to set your program.

Remember: The STRATA_HEAT™ Wi-Fi Thermostat can also learn your schedule and program itself. To activate this, set it into Learning Mode on MySTRATAHEAT.

PRESET PROGRAMS

You can select a preset program schedule to get you started. You can edit the program whenever you like by following the steps in **Set Your Heating Program**.

Below is a summary of the Preset Programs.

	Bathroom		Kitchen		Bedroom		Living Room	
	Time	Temp	Time	Temp	Time	Temp	Time	Temp
Mon-Fri	6:00 am	77°F (25°C)	6:00 am	73°F (23°C)	6:00 am	77°F (25°C)	6:00 pm	73°F (23°C)
	8:00 am	50°F (10°C)	8:00 am	50°F (10°C)	8:00 am	50°F (10°C)	9:30 pm	50°F (10°C)
	7:00 pm	68°F (20°C)	6:00 pm	73°F (23°C)	8:00 pm	68°F (20°C)		
	11:00 pm	59°F (15°C)	10:00 pm	50°F (10°C)	11:00 pm	50°F (10°C)		
Sat-Sun	7:00 am	77°F (25°C)	7:00 am	73°F (23°C)	6:00 am	77°F (25°C)	8:00 am	73°F (23°C)
	11:00 am	64°F (18°C)	11:00 am	64°F (18°C)	8:00 am	50°F (10°C)	6:00 pm	68°F (20°C)
	6:00 pm	68°F (20°C)	6:00 pm	73°F (23°C)	8:00 pm	68°F (20°C)	8:00 pm	50°F (10°C)
	11:00 pm	59°F (15°C)	10:00 pm	50°F (10°C)	11:00 pm	50°F (10°C)		

HOLIDAY MODE

Holiday Mode allows you to override your schedule with a fixed temperature over a number of days. This helps you save energy when you know you'll be away for a while by setting a lower temperature. **Holiday Mode** can be found in the **Program** menu.

Just set the start and end times of your holiday, or leave the end time as **Unspecified**, if you want **Holiday Mode** to run indefinitely. Then set the temperature you want when you're away.

GRADUAL START

Gradual Start allows you to bring your floor up to temperature slowly, which is required for some floor finishes such as solid wood, and can also be found in the **Program** menu.

Enter the maximum temperature and the time required to reach that temperature to set **Gradual Start**. Different floors have different requirements so please contact your floor installer or supplier for advice on how to set **Gradual Start** correctly.

FROST PROTECT

Select **Frost Protect** mode to set your heating to 41°F (5°C). This will help protect your home from frost and will run continuously until you raise the temperature again.

SETTINGS

The STRATA_HEAT™ Wi-Fi Thermostat can be configured in different ways to suit you. The functions that can be accessed in the Settings menu include:

Time

- Set time manually set time (only available without Wi-Fi connection)
- Set date manually set date (only available without Wi-Fi connection)
- Daylight savings set daylight savings (only available without Wi-Fi connection)

Heating Preferences

- Temperature format choose celsius or fahrenheit
- Control air/floor use air or floor sensor as main measurement
- Adaptive learning starts heating early so it's up to temperature at the right time

Display/Audio

- Background change the screen background (upload your own on MYSTRATAHEAT)
- Home screen style choose a theme for the main screen
- Display brightness change the screen brightness for normal use and standby
- Lock set a lock code and limits for when the lock is active
- Audio Feedback turn the 'click' sound on or off

Network

- Choose a Wi-Fi network and enter the password if required.

Advanced Settings

These options can affect the performance of your thermostat and should only be modified by an experienced professional or under the instruction of LAITCRETE Technical Support.

Heater Settings

Heater Limits

Set the temperature limits for your floor type. **User Defined** lets you set custom limits.

Regulator

Regulator mode controls the heating in 10 minute cycles. The number you enter is the number of minutes in every 10 minute cycle that the heating will be on. This mode will not use the floor or air sensors for measurement.

Master/Relay

This allows one thermostat to control another.

1. Choose which thermostat is Master and which is Relay.
2. Use low voltage cable to connect terminal 6 of both thermostats.
3. Use low voltage cable to connect terminal 7 of both thermostats (in addition to floor sensor cables on the Master thermostat).
4. Set Relay thermostat to Relay mode first, then set the Master thermostat to Master mode.
5. Program the Master thermostat. The Relay thermostat will no longer use its sensors, it will follow the Master thermostat.

Gradual Start

Set the maximum temperature and time required to reach that temperature

Probes

Set the specification of the probes. You can also choose to hide the error message if you do not want to connect a probe.

Probe Application

Choose if the floor probe is being used as a Floor or Amb (ambient) sensor.

Offset

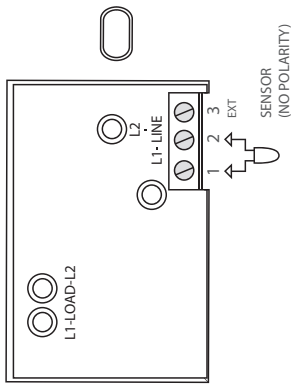
Set the offset of the sensors to improve accuracy.

Reset

This will restore all the factory default settings. You can also hold the button on the rear of the front module for 10 seconds to perform a system reset.

Do not use where exposed to water

Ne pas installer à proximité d'une source d'eau



STRATA_HEAT™ Wire Installation

See numbering on diagram above.

2. Connect to Power Supply (Live — MAX 240V)
3. Connect to Power Supply (Neutral — MAX 240V)
4. Connect to LATICRETE heater(s) (Neutral — MAX 3600W/
15 Amps)
5. Connect to LATICRETE heater(s) (Live — MAX 3600W/
15 Amps)
7. Connect to 1st wire of floor sensor (color not important)
8. Connect to 2nd wire of floor sensor (color not important)

Special Installation

See numbering on diagram above.

Second sensor installation: (2nd floor probe or exterior probe)

6. Connect to 1st wire of external sensor/ 2nd floor sensor
7. Connect to 2nd wire of external sensor/ 2nd floor sensor

Master/Relay installation: (connecting 2 thermostats together)

6. Connect to terminal 6 on other thermostat
7. Connect to terminal 7 on other thermostat

Mounting Thermostat

See numbering on diagram above.

1. Push excess wire back through the wall box and insert thermostat back module into wall box.
2. Put fixing screws through mounting holes and tighten.
3. Ensure that thermostat is straight before tightening completely.
4. Replace thermostat front housing;
 - i) align and sit front housing on to hinges,
 - ii) push lower half of front housing until a 'click' is heard.
5. Ensure front housing is securely fixed.
6. **IMPORTANT:** Tighten both retaining screws.

Powering Up

See numbering on diagram above.

You can now power up the thermostat and begin the programming process. An easy to follow menu will guide you through the rest. If you want to turn on/off the thermostat and heating system then hold down the recessed button on the bottom of the stat for 3 seconds.

Error Messages

Your thermostat can give you two error indications:

1. "er1": This will occur if no floor sensor is detected.
2. "er2": This will occur if the floor sensor has a short circuit.

Introduction

The STRATA_HEAT™ Wi-Fi Thermostat is designed to aid in the comfort of your home by providing timed regulation of your heating system. The thermostat is designed to receive temperature input signals from the following sensors:

1. Air sensor located inside thermostat
2. Floor sensor installed in floor if using underfloor heating (See LATI(CRETE heater instructions for details.)
3. Optional 2nd sensor

The thermostat is not a safety device. In order to avoid damaging your system the correct system and floor type should be selected during the thermostat programming process.

Electrical Specification:

- Supply voltage: 110V-240V +/-15% at 60Hz
- Thermostat is not designed for use with intermittent power supply.
- Maximum Switch Load: 15A resistive
- Insulation Class: II
- Housing: Electrical Code Requirements
- Standards: EN60730-1 & EN60730-2-9 standards

WARNING – Important safety note

This product uses mains voltage electricity and work should only be carried out by a qualified electrician. You should always isolate the power supply before attempting to install or repair the STRATA_HEAT Wi-Fi Thermostat. The thermostat should not be put into operation unless you are certain that the entire heating installation complies with current general safety requirements for electrical installations. Electrical installation to be in accordance with latest Electrical Code Requirements.

Location

The thermostat should be installed inside a single gang electrical wall box that is at least 1-1/4" (30 mm) deep. For optimal performance the thermostat should be located in an area with good ventilation. It should not be beside a drafty window/door, in direct sunlight or above another heat generating device (e.g. radiator or TV). The thermostat is designed for operation between 32°F (0°C) and 131°F (55°C) with relative humidity less than 80%.

Installation

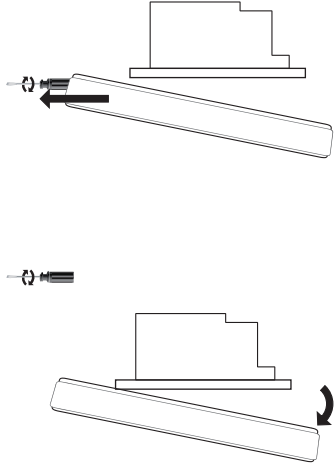
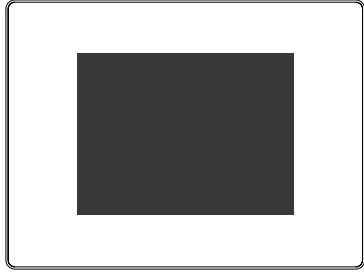
Separate the front housing of thermostat from wall module:

1. Unscrew both closing screws (bottom of thermostat) until they will not turn any further.
2. Release front housing by gripping lower half of outer frame and pulling outwards then upwards
3. Place front housing somewhere safe
4. Run all wires to the wall box. Check to ensure that you have included the following:
 - Power (Live and Neutral)
 - Heater (Live and Neutral or Switch Live only)
 - Floor sensor
 - External/2nd floor Sensor (if necessary)
5. Pull wires through wall box and complete terminal wiring.

IMPORTANT: Ensure that multi stranded wires are fully inserted into the terminals and secured tightly. Any loose strands should be trimmed as they could cause a short-circuit.

If connecting more than two heaters, an electrical junction box will be required.

NOTE: Always ensure that the sensor cable is installed in a separate conduit to the power cables supplying the thermostat and heating system.





Des solutions de construction
éprouvées mondialement

Thermostat Wi-Fi STRATA_HEAT^{MC}

Bienvenue au STRATA_HEAT^{MC} Thermostat Wi-Fi

Voir l'endos pour le guide d'installation

Guide d'utilisation

LATICRETE

09:48

mardi 25 avril

27 °C ▲
au sol

27 jusqu'à 12:30

24 air



13

TEST MONTHLY

PRÉSENTATION

L'écran par défaut du **thermostat Wi-Fi STRATA_HEAT^{MC}** est l'écran d'accueil. Appuyer sur le chiffre de la température au centre de l'écran vous permet de l'outrepasser. Appuyer sur le bouton du menu vous permet de commencer la programmation et la configuration du **thermostat Wi-Fi STRATA_HEAT**. Vous trouverez souvent un bouton d'aide dans les pages contenant plusieurs options afin de vous offrir plus d'information.

Si vous n'appuyez sur aucun bouton pendant 1 minute, l'écran du **thermostat Wi-Fi STRATA_HEAT** s'atténuera et reviendra à l'écran d'accueil. Pour réveiller le **thermostat Wi-Fi STRATA_HEAT**, tapez simplement sur l'écran ou appuyez sur **Réveil**.

Les icônes au bas de l'écran sont vos applications STRATA_HEAT. Elles peuvent être réglées sur MySTRATAHEAT.

Pour allumer ou éteindre le thermostat, appuyez pendant 3 secondes sur le bouton d'alimentation situé au bas du dispositif.

MySTRATAHEAT

Vous pouvez également programmer et configurer votre **thermostat Wi-Fi STRATA_HEAT** avec votre tablette ou votre ordinateur en visitant mystrataheat.com.

Si vous utilisez un téléphone intelligent pour accéder à **MySTRATAHEAT**, il vous sera montré une version mobile qui fournit un accès rapide à des options importantes comme « **Smart Overrides** ». Si vous désirez configurer votre **thermostat Wi-Fi STRATA_HEAT** à l'aide d'un téléphone intelligent, vous devrez vous assurer d'accéder à la version bureau du site Web. Cela peut être modifié dans les paramètres du navigateur de votre téléphone ou en cliquant sur le lien au bas de la page du mobile.



LATICRETE

Configurer Wi-Fi?

oui

non

retour

TEST MONTHLY

DÉMARRAGE

À la première mise sous tension, le **thermostat Wi-Fi STRATA_HEAT^{MC}** vous demandera de vous connecter à un réseau Wi-Fi. Une fois connecté, il vous sera demandé de créer un compte **MySTRATAHEAT**. Si vous sautez l'étape de connexion Wi-Fi, vous serez guidé à travers une procédure de configuration hors-ligne (avec les options illustrées ci-dessous) et pourrez configurer un compte **MySTRATAHEAT** à une date ultérieure.

- Langue
- Paramètres Internet
- Heure
- Date
- Heure avancée
- Type de chauffage
- Affichage de la température
- Thème
- Luminosité
- Retour audio
- Type de plancher
- Type de contrôle du chauffage
- Horaire du programme de chauffage

IMPORTANT!

Assurez-vous de choisir le bon **type de système**. Électrique (sous le plancher), hydronique (sous le plancher) ou conventionnel (chauffage central avec radiateurs).

LATICRETE

Pour compléter l'installation
votre numéro de dispositif est
5C-F8-A1-5F-17-5B-2C6

annuler

TEST MONTHLY

CONNEXION À MYSTRATAHEAT

Une fois votre thermostat Wi-Fi STRATA_HEAT^{MC} allumé, vous devrez créer votre compte MySTRATAHEAT. Naviguez votre navigateur Web à mystrataheat.com.

Saisissez votre courriel et créez un mot de passe pour votre compte. Vous recevrez un courriel de confirmation une fois votre compte configuré. Assurez-vous de configurer votre répertoire de courriel ainsi que votre boîte de réception.

Lors de la réception de votre courriel d'activation de compte, vous pourrez alors connecter votre thermostat Wi-Fi STRATA_HEAT au compte. Assurez-vous que votre thermostat Wi-Fi STRATA_HEAT est connecté à l'Internet. Si vous voyez une icône d'erreur sur l'écran d'accueil (voir ci-dessous), alors votre thermostat n'est pas connecté à l'Internet.

Si vous ne pouvez pas vous connecter à l'Internet, vous pouvez sauter cette étape et vous connecter à une date ultérieure.



Non connecté au serveur

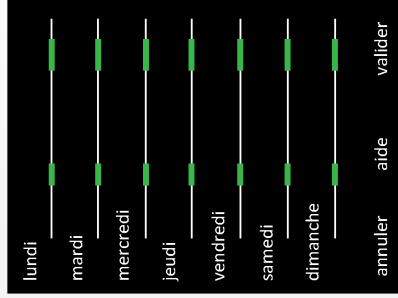


Aucune connexion Wi-Fi

Si vous voyez ces icônes, visitez notre site Web d'aide technique en ligne : laticrete.com/technical

Lorsque votre thermostat Wi-Fi STRATA_HEAT est connecté à l'Internet, saisissez simplement les codes uniques affichés sur l'écran de connexion sur MySTRATAHEAT. Votre thermostat Wi-Fi STRATA_HEAT sera alors connecté.

LATICRETE



TEST MONTHLY

RÉGLEZ VOTRE PROGRAMME DE CHAUFFAGE

Avec votre thermostat Wi-Fi STRATA_HEAT^{MC}, vous pouvez choisir de régler un horaire de chauffage personnalisé, une température fixe ou un programme pré-réglé conçu pour plusieurs pièces.

Pour régler le programme, mettez en surbrillance les jours que vous désirez programmer en appuyant sur ceux-ci, puis sur **Programmer**. Vous pouvez choisir plusieurs jours en toute combinaison, comme seulement les jours de semaine, pour programmer les températures de jours de semaine et de fins de semaine de manière séparée. Pour cela, programmez tous les jours de semaine à la fois, puis programmez la fin de semaine lorsque vous avez terminé.

La programmation fonctionne en réglant les Périodes de confort de températures chaudes, montrées avec une ligne verte. Tout temps non couvert par une Période de confort utilisera une Température de retrait plus basse pour économiser de l'énergie. La température de retrait par défaut est de 15 °C (60 °F). Elle peut être modifiée au besoin une fois votre programme configuré.

Vous pouvez ajouter jusqu'à 5 Périodes de confort par jour et lorsque vous avez réglé ce que vous désirez, il vous suffit d'appuyer sur **Terminé**. Vous verrez le résumé de votre programme que vous pouvez modifier en répétant les étapes ci-haut, ou appuyez simplement sur **Accepter** pour régler votre programme.

Souvenez-vous : Le thermostat Wi-Fi STRATA_HEAT^{MC} peut également apprendre votre horaire et s'auto-programmer. Pour activer cette fonction, réglez-le en Mode apprentissage sur MySTRATAHEAT.

PROGRAMMES PRÉRÉGLÉS

Vous pouvez choisir un programme préréglé pour commencer. Vous pouvez modifier le programme lorsque vous le désirez en suivant les étapes dans Réglez votre programme de chauffage.

Ci-dessous se trouve un résumé des Programmes préréglés.

	Salle de bain		Cuisine		Chambre à coucher		Salon	
	Heure	Temp	Heure	Temp	Heure	Temp	Heure	Temp
Lun-Ven	6 h 00	25 °C (77 °F)	6 h 00	23 °C (73 °F)	6 h 00	25 °C (77 °F)		
	8 h 00	10 °C (50 °F)	8 h 00	10 °C (50 °F)	8 h 00	10 °C (50 °F)		
	19 h 00	20 °C (68 °F)	18 h 00	23 °C (73 °F)	20 h 00	20 °C (68 °F)	18 h 00	23 °C (73 °F)
	23 h 00	15 °C (59 °F)	22 h 00	10 °C (50 °F)	23 h 00	10 °C (50 °F)	21 h 30	10 °C (50 °F)
Sam-Dim	7 h 00	25 °C (77 °F)	7 h 00	23 °C (73 °F)	6 h 00	25 °C (77 °F)		
	11 h 00	18 °C (64 °F)	11 h 00	18 °C (64 °F)	8 h 00	10 °C (50 °F)	8 h 00	23 °C (73 °F)
	18 h 00	20 °C (68 °F)	18 h 00	23 °C (73 °F)	20 h 00	20 °C (68 °F)	18 h 00	20 °C (68 °F)
	23 h 00	15 °C (59 °F)	22 h 00	10 °C (50 °F)	23 h 00	10 °C (50 °F)	20 h 00	10 °C (50 °F)

MODE CONGÉ

Le **Mode Congé** vous permet d'outrepasser votre horaire avec une température fixe sur un nombre de jour. Cela vous aide à économiser de l'énergie lorsque vous savez que vous serez absent pendant un moment en réglant une température plus basse. Le **Mode Congé** se trouve dans le menu **Programme**.

Réglez simplement les heures de début et de fin de votre congé, ou laissez l'heure de fin comme **Non spécifiée** si vous désirez que le **Mode Congé** opère de manière indéfinie. Réglez alors la température que vous désirez lorsque vous êtes absent.

DÉBUT GRADUEL

Début graduel vous permet de réchauffer progressivement votre plancher, ce qui est requis pour certaines finitions de plancher, comme le bois plein; l'option se trouve également dans le menu **Programme**.

Saisissez la température maximale et le temps requis pour l'atteindre pour régler **Début graduel**. Différents planchers présentent diverses exigences, veuillez donc contacter votre installateur ou fournisseur de plancher pour des conseils sur comment régler correctement l'option **Début graduel**.

PROTECTION CONTRE LE GEL

Choisissez le mode **Protection contre le gel** pour régler votre chauffage sur 5 °C (41 °F). Cela aidera à protéger votre maison du gel et opérera de manière continue jusqu'à ce que vous augmentiez de nouveau la température.

PARAMÈTRES

Le thermostat Wi-Fi STRATA_HEATTM peut être configuré de plusieurs manières selon vos goûts. Les fonctions qui peuvent être accédées dans le menu Paramètres incluent :

Heure

- Régler l'heure régler manuellement l'heure (disponible seulement sans connexion Wi-Fi)
- Régler la date configurer manuellement la date (disponible seulement sans connexion Wi-Fi)
- Heure avancée régler l'heure avancée (seulement disponible sans connexion Wi-Fi)

Préférences de chauffage

- Format de la température choisir celsius ou fahrenheit
- Contrôle air/plancher utiliser une sonde d'air ou de plancher comme mesure principale
- Apprentissage adaptatif commencer le chauffage tôt afin qu'il soit à la température désirée au bon moment

Écran / Audio

- Fond modifier le fond d'écran (téléverser votre propre fond sur mystrataheat.com)
- Style d'écran d'accueil choisir un thème pour l'écran principal
- Luminosité de l'écran modifier la luminosité d'écran pour l'utilisation normale et la veille
- Verrouillage régler un code de verrouillage et des limites pour lorsque le code est activé
- Retour audio activer ou désactiver le son de « clic »

Réseau

- Choisissez un réseau Wi-Fi et saisissez le mot de passe si requis.

Paramètres avancés

Paramètres du chauffage

Limites de chauffage

Régalez les limites de température pour votre type de plancher. **Défini par l'utilisateur**, vous permet de régler des limites personnalisées.

Régulateur

Le Mode régulateur contrôle le chauffage en des cycles de 10 minutes. Le nombre saisi est le nombre de minutes dans chaque cycle de 10 minutes où le chauffage est en marche. Ce mode n'utilisera pas les sondes de plancher ou d'air pour les mesures.

Principal/Relais

Il permet à un thermostat d'en contrôler un autre

1. Choisissez quel thermostat est le Principal et quel est le Relais.
2. Utilisez un câble basse tension pour brancher la borne 6 des deux thermostats.
3. Utilisez un câble basse tension pour brancher la borne 7 des deux thermostats (en plus des câbles de sonde de plancher sur le thermostat Principal).
4. Réglez d'abord le Thermostat du relais au Mode relais, puis réglez le Thermostat principal au Mode principal.
5. Programmez le Thermostat principal. Le Thermostat du relais n'utilisera plus ses sondes, il suivra le Thermostat principal.

Début graduel

Réglez la température maximale et le temps requis pour atteindre cette température.

Sondes

Réglez les spécifications des sondes. Vous pouvez également choisir de dissimuler le message d'erreur si vous ne désirez pas brancher une sonde.

Application de la sonde

Choisissez si la sonde de plancher est utilisée comme une sonde de plancher ou d'ambiance.

Décalage

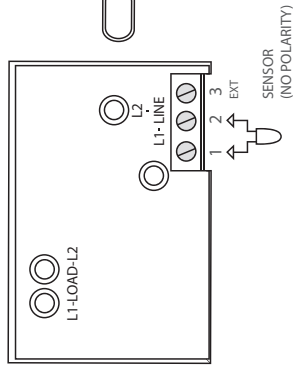
Réglez le décalage des sondes pour plus de précision.

Réinitialisation

Cela restaurera toutes les valeurs à celles par défaut de l'usine. Vous pouvez également tenir le bouton à l'arrière du module avant pendant 10 secondes pour effectuer une réinitialisation de système.

Do not use where exposed to water

Ne pas installer à proximité d'une source d'eau



Pose du fil STRATA_HEAT^{MC}

Voir la numérotation sur le diagramme ci-dessous.

2. Branchez à la source d'alimentation (Sous tension - 240 V MAX)
3. Branchez à la source d'alimentation (Neutre - 240 V MAX)
4. Branchez aux dispositifs de chauffage LATICRETE (Neutre - MAX 3 600 W/15 A)
5. Branchez aux dispositifs de chauffage LATICRETE (Sous tension - MAX 3 600 W/15 A)
7. Branchez au premier fil de la sonde de plancher (peu importe la couleur)
8. Branchez au deuxième fil de la sonde de plancher (peu importe la couleur)

Montage du thermostat

Voir la numérotation sur le diagramme ci-dessous.

1. Repoussez le fil en excès dans la boîte murale et réinsérez le module du thermostat dans la boîte murale.
2. Mettez les vis de montage dans les trous de montage et serrez.
3. Assurez-vous que le thermostat est droit avant de complètement le serrer.
4. Remettez le bâti avant du thermostat en place :
 - i) alignez et posez le bâti avant sur les charnières,
 - ii) poussez la moitié du bas du bâti avant jusqu'à ce que vous entendiez un « clic ».
5. Assurez-vous que le bâti avant est bien en place.
6. **IMPORTANT:** Serrez les deux vis de retenue.

Pose spéciale

Voir la numérotation sur le diagramme ci-dessous.

Pose de la deuxième sonde : Pose de la deuxième sonde : (deuxième sonde de plancher ou sonde extérieure)

6. Branchez au premier fil de la sonde externe/deuxième sonde de plancher
 7. Branchez au deuxième fil de la sonde externe/deuxième sonde de plancher
- Pose Principal/Relais :** Pose Principal/Relais : (branchez 2 thermostats ensemble)
6. Branchez à la borne 6 sur l'autre thermostat
 7. Branchez à la borne 7 sur l'autre thermostat

Mise sous tension

Voir la numérotation sur le diagramme ci-dessous.

Vous pouvez à présent mettre le thermostat sous tension et commencer le processus de programmation. Un menu facile à suivre vous guidera pour le reste des étapes. Si vous désirez allumer/éteindre le thermostat et le système de chauffage, maintenez le bouton encastré au bas du thermostat pendant 3 secondes.

Messages d'erreur

Votre thermostat peut vous donner deux indications d'erreur :

1. « er1 » : Cela se produit si aucune sonde de plancher n'est détectée.
2. « er2 » : Cela se produit si la sonde de plancher est court-circuitée.

Présentation

Le thermostat Wi-Fi STRATA HEATTM est conçu pour aider au confort de votre maison en fournissant une régulation minutée de votre système de chauffage. Le thermostat est conçu pour recevoir les signaux d'entrée de température des sondes suivantes :

1. Sonde d'air située dans le thermostat
2. Sonde de plancher installée dans le plancher si vous utilisez un chauffage sous-plancher (reportez-vous aux instructions du manuel de l'installation du fil STRATA_HEAT pour plus de détails.)
3. Deuxième sonde en option

Le thermostat n'est pas un dispositif de sécurité. Afin d'éviter d'endommager votre système, le bon système et type de plancher doivent être choisis lors du processus de programmation du thermostat.

Spécifications électriques :

- Tension d'alimentation : 110 V-240 V +/-15 % à 60 Hz
- Le thermostat n'est pas conçu pour utilisation avec une source d'alimentation intermittente.
- Charge d'interruption maximale : 15 A résistive
- Classe d'isolation : II
- Bâti : Exigences du code électrique
- Normes : Normes EN60730-1 et EN60730-2-9

AVERTISSEMENT - Importante remarque sur la sécurité

Ce produit utilise l'électricité de tension du secteur et les travaux ne doivent être effectués que par un électricien qualifié. Vous devez toujours isoler l'alimentation électrique avant d'essayer de poser ou de réparer le thermostat Wi-Fi STRATA_HEATTM. Le thermostat ne doit pas être mis en fonctionnement à moins d'être certain que l'ensemble de l'installation de chauffage est conforme avec les exigences de sécurité générale actuelles pour les installations électriques. L'installation électrique doit être conforme aux plus récentes exigences du code électrique.

Emplacement

Le thermostat doit être installé dans une boîte murale électrique à commande unique d'une profondeur minimale de 30 mm (1-1/4 po). Pour des performances optimales, le thermostat doit être situé dans une zone avec une bonne aération. Il ne doit pas être près d'une fenêtre/porte avec des courants d'air, en pleine lumière du jour ou au-dessus de tout autre dispositif générant de la chaleur (p.ex., un radiateur ou une télé).

Installation

Séparez le bâti avant du thermostat du module mural :

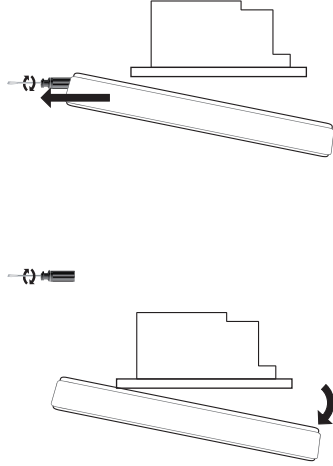
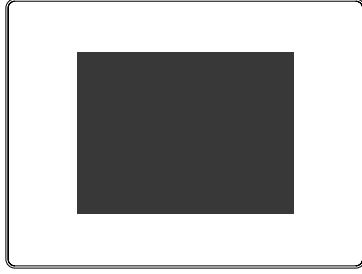
1. Dévissez les deux vis de fermeture (bas du thermostat) jusqu'à ce qu'elles ne tournent plus.
2. Dégagez le bâti avant en saisissant la moitié du bas du cadre extérieur et en tirant vers l'extérieur puis vers le haut
3. Placez le bâti avant dans un endroit sûr
4. Faites couir tous les fils vers la boîte murale. Assurez-vous d'avoir inclus ce qui suit :
 - Alimentation (sous tension et neutre)
 - Dispositif de chauffage (sous tension et neutre ou sous tension commutée seulement)
 - Sonde de plancher
 - Sonde externe /deuxième sonde de plancher (si nécessaire)
5. Tirez les fils à travers la boîte murale et terminez le câblage des bornes.

IMPORTANT : Assurez-vous que les fils à brins multiples sont complètement introduits dans les bornes et bien serrés en place. Tout brin lâche doit être coupé, sinon il pourrait produire un court-circuit.

Si vous branchez plus de deux dispositifs de chauffage, une boîte de raccordement électrique est requise.

REMARQUE: Assurez-vous toujours que le câble du capteur est installé dans un conduit séparé vers les câbles alimentant le thermostat et le système de chauffage.

Visitez notre site Web d'aide technique en ligne : laticrete.com/technical





Soluciones Constructivas
Comprobadas Mundialmente

Termostato con Wi-Fi
STRATA_HEAT™

Bienvenido al Termostato con Wi-Fi **STRATA_HEAT™**

Vea el dorso para leer la guía de instalación.

Guía de operación

LATICRETE

09:48

martes 25 abril

27 °C ▲
27 hasta 12:30 piso

24 aire



13

TEST MONTHLY

INTRODUCCIÓN

La pantalla predeterminada del **Termostato con Wi-Fi STRATA_HEAT™** es la pantalla de inicio. Para quitar esa pantalla, presione la figura de la temperatura en el centro de la pantalla. Para comenzar a programar y configurar el **termostato con Wi-Fi STRATA_HEAT**, presione el botón del menú. A menudo encontrará un botón de ayuda en las páginas que tienen distintas opciones, para brindarle mayor información.

Si no presiona ningún botón durante 1 minuto, la pantalla del **termostato con Wi-Fi STRATA_HEAT** se atenuará y volverá a la pantalla de inicio. Para volver a activar el **termostato con Wi-Fi STRATA_HEAT**, simplemente toque la pantalla o presione “Wake” (despertar).

Los íconos de la parte inferior de la pantalla son sus aplicaciones de STRATAHEAT, que puede configurar en MySTRATAHEAT.

Para prender o apagar el termostato, presione el botón de encendido que está en la parte inferior del dispositivo durante 3 segundos.

MySTRATAHEAT

También puede programar y configurar su **Termostato con Wi-Fi STRATA_HEAT** con su tableta o computadora, visitando mystrataheat.com.

Si usa un teléfono para acceder a **MySTRATAHEAT**, se le mostrará una versión móvil, que le dará acceso rápido a funciones importantes, como cancelar **funciones de manera inteligente**. Si desea configurar su **Termostato con Wi-Fi STRATA_HEAT** con su teléfono, deberá asegurarse de acceder a la versión para computadora en el sitio web. Puede cambiar esto en la configuración del navegador de su teléfono, o haciendo clic en la parte inferior de la página móvil.



LATICRETE

Establecer red WiFi?

si

no

atrás

TEST MONTHLY

PARA COMENZAR

Al encender por primera vez el **Termostato con Wi-Fi STRATA_HEAT™**, el dispositivo le pedirá que se conecte a una red Wi-Fi. Cuando esté conectado, se le pedirá que cree una cuenta **MySTRATAHEAT**. Si se salta la etapa de conexión a Wi-Fi, se le guiará por el proceso de configuración offline (con las opciones que se muestran a continuación), y puede configurar la cuenta de **MySTRATAHEAT** más adelante.

- Idioma
- Configuración de Internet
- Hora
- Fecha
- Ahorro de luz durante el día
- Tipo de calefacción
- Pantalla de temperatura
- Tema
- Brillo
- Avisos sonoros
- Tipo de piso
- Tipo de control de calefacción
- Programación de horas de calefacción

¡IMPORTANTE!

Asegúrese de elegir el **tipo de sistema correcto**. Eléctrico (debajo del piso), hidrónico (debajo del piso) o convencional (calefacción central con radiadores).

LATICRETE

Para completar configuración
su número de dispositivo est
5C-F8-A1-5F-17-5B-2C6

anular

TEST MONTHLY

CONECTÁNDOSE A MYSTRATAHEAT

Cuando esté encendido su **Termostato con Wi-Fi STRATA_HEAT™**, deberá crear su cuenta en **MySTRATAHEAT**. Desde su navegador Web, vaya a mystrataheat.com.

Ingrese su dirección de correo electrónico y cree una contraseña para su cuenta. Se le enviará un correo de confirmación cuando se configure su cuenta. Asegúrese de revisar su carpeta de correo no deseado, así como su bandeja de entrada.

Cuando haya recibido el correo de activación de su cuenta, podrá conectar su **Termostato con Wi-Fi STRATA_HEAT** a la cuenta. Asegúrese de que su **Termostato con Wi-Fi STRATA_HEAT** esté conectado a Internet. Si ve un ícono de error en la pantalla de inicio (ver a continuación), su termostato no está conectado al Internet.

Si no puede conectarse a Internet, puede saltarse este paso y conectarse más adelante.



No está conectado al servidor.

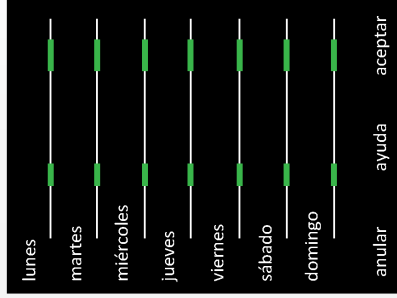


No hay conexión Wi-Fi.

Si ve estos íconos, visite nuestro sitio web de asistencia técnica en línea: latitude.com/technical

Cuando su **Termostato con Wi-Fi STRATA_HEAT** esté conectado a Internet, ingrese en **MySTRATAHEAT** los códigos únicos que se muestran en la pantalla de conexión. Ahora, su **Termostato con Wi-Fi STRATA_HEAT** ya estará conectado.

LATICRETE



TEST MONTHLY

CONFIGURACIÓN DEL PROGRAMA DE CALEFACCIÓN

Con el **Termostato con Wi-Fi STRATA_HEAT**, puede elegir configurar un horario personalizado de calefacción, una temperatura fija o un programa predeterminado diseñado para distintas habitaciones.

Para ajustar el programa, resalte los días que desea programar para seleccionarlos, y luego presione **Program** (programar). Puede seleccionar varios días en cualquier combinación, como los días entre semana únicamente, o programar temperaturas por separado para días entre semana y fines de semana. Para realizar esto, programe todos los días entre semana de una vez y después programe los fines de semana.

La programación funciona al configurar los periodos de confort (Comfort Periods) de temperaturas cálidas, mostradas con una línea verde. Cualquier hora que no esté cubierta por un periodo de confort usará una temperatura de descanso para ahorrar energía. La temperatura de descanso predeterminada es de 15 °C (60 °F). Si necesita cambiar este valor, puede cambiarlo cuando haya configurado su programa.

Puede añadir hasta 5 periodos de confort al día. Cuando haya terminado de configurar lo que desea, simplemente presione **Done** (listo). Verá el resumen de su programa, y podrá editarlo al repetir los pasos anteriores, o presionar **Accept** (Aceptar) para configurar su programa.

Recuerde: El Termostato con Wi-Fi STRATA_HEAT también puede aprender su horario y auto programarse. Para activar esta función, configúrelo en el modo de aprendizaje (Learning Mode) en MySTRATAHEAT.

PROGRAMAS PREESTABLECIDOS

Puede seleccionar el horario de un programa preestablecido para comenzar. Puede editar el programa siempre que lo desee siguiendo los pasos de la sección **Configuración del programa de calefacción**.

A continuación se muestra un resumen de los programas preestablecidos.

	Baños		Cocinas		Recámara		Sala	
	Hora	Temperatura	Hora	Temperatura	Hora	Temperatura	Hora	Temperatura
Lunes a viernes	6:00 am	25 °C (77 °F)	6:00 am	23 °C (73 °F)	6:00 am	25 °C (77 °F)		
	8:00 am	10 °C (50 °F)	8:00 am	10 °C (50 °F)	8:00 am	10 °C (50 °F)		
	7:00 pm	20 °C (68 °F)	6:00 pm	23 °C (73 °F)	8:00 pm	20 °C (68 °F)	6:00 pm	23 °C (73 °F)
	11:00 pm	15 °C (59 °F)	10:00 pm	10 °C (50 °F)	11:00 pm	10 °C (50 °F)	9:30 pm	10 °C (50 °F)
Sábado y domingo	7:00 am	25 °C (77 °F)	7:00 am	23 °C (73 °F)	6:00 am	25 °C (77 °F)		
	11:00 am	18 °C (64 °F)	11:00 am	18 °C (64 °F)	8:00 am	10 °C (50 °F)	8:00 am	23 °C (73 °F)
	6:00 pm	20 °C (68 °F)	6:00 pm	23 °C (73 °F)	8:00 pm	20 °C (68 °F)	6:00 pm	20 °C (68 °F)
	11:00 pm	15 °C (59 °F)	10:00 pm	10 °C (50 °F)	11:00 pm	10 °C (50 °F)	8:00 pm	10 °C (50 °F)

MODO DE VACACIONES

El **modo de vacaciones** (Holiday Mode) le permite modificar su horario con una temperatura fija durante cierto número de días. Esto le ayudará a ahorrar energía durante los períodos en los que no estará en casa, al configurar una temperatura más baja. Puede encontrar el **modo de vacaciones** en el menú **Program** (programar).

Solo establezca los tiempos de inicio y final del periodo de vacaciones, o deje el tiempo de final como **no establecido** (Unspecified) si desea que el **modo de vacaciones** funcione hasta una fecha no definida. Luego configure la temperatura que desee para el periodo de vacaciones.

COMIENZO GRADUAL

Puede encontrar el **Comienzo gradual** en el menú para programar. Esta configuración le permite subir la temperatura del piso de manera gradual, pues algunos acabados de pisos como los de madera sólida así lo requieren.

Ingrese la temperatura máxima y el tiempo requerido para alcanzar dicha temperatura, para establecer un **comienzo gradual**. Cada tipo de piso tiene requerimientos distintos, por lo tanto, póngase en contacto con el instalador o proveedor de su piso para que le aconseje cómo configurar correctamente el **comienzo gradual**.

PROTECCIÓN CONTRA CONGELAMIENTO

Seleccione el modo **Frost Protect** (protección contra congelamiento) para establecer la calefacción a 5°C (41°F). Esto le ayudará a proteger su hogar del congelamiento y funcionará de manera continua hasta que vuelva a elevar la temperatura.

CONFIGURACIÓN

El **Termostato con Wi-Fi STRATA_HEAT** se puede configurar de distintas maneras que mejor se adapten a usted. Las funciones a las que puede acceder en el menú Settings (Configuración) incluyen:

Hora

- Configurar hora configurar manualmente la hora (solo disponible sin conexión Wi-Fi)
- Configurar fecha configurar manualmente la fecha (solo disponible sin conexión Wi-Fi)
- Ahorro de luz durante el día configurar ahorro de luz de día (solo disponible sin conexión Wi-Fi)

Preferencias de calefacción

- Formato de la temperatura elegir Celsius o Fahrenheit
- Control del aire/piso usar sensores de aire o de piso como medida principal
- Aprendizaje adaptativo comenzar a calentar temprano para que la temperatura haya subido en el momento correcto

Visualización/Audio

- Antecedentes cambiar el fondo de pantalla (subir su propio fondo en mystatheat.com).
- Estilo de la pantalla de inicio elegir el tema de la pantalla principal
- Brillo de la pantalla cambiar el brillo de la pantalla para uso normal y para periodos de pausa
- Bloqueo establecer un código de bloqueo y los límites para activar el bloqueo
- Avisos sonoros prender o apagar el sonido de "clic"

Configuración avanzada

Estas opciones pueden afectar el desempeño de su termostato y sólo los debe modificar un profesional experimentado, o que esté bajo las instrucciones del soporte técnico de LAITCRETE.

Configuración del calefactor

Límites del calentador

Establecer los límites de temperatura para su tipo de piso. La opción **User Defined (definido por el usuario)** le permite establecer límites personalizados.

Regulador

El modo regulador controla la calefacción en ciclos de 10 minutos. El número que usted ingrese es el número de minutos dentro de cada ciclo de 10 minutos en los que se encenderá la calefacción. Este modo no usará los sensores de aire ni de piso para medir.

Maestro/relé

Esto permite que un termostato controle a otro

1. Elija cuál termostato será el termostato maestro y cuál será el relé
2. Utilice un cable de bajo voltaje para conectar la terminal 6 de ambos termostatos
3. Utilice un cable de bajo voltaje para conectar la terminal 7 de ambos termostatos (además de los cables de los sensores del piso del termostato maestro)
4. Configure primero el termostato relé en modo Relay (relé), luego configure el termostato maestro en modo Master (maestro).
5. Programar el termostato maestro. El termostato de relé ya no usará sus sensores, pues seguirá al termostato maestro.

Comienzo gradual

Configure la temperatura máxima y el tiempo requerido para alcanzar la temperatura deseada.

Sondas

Configure la especificación de las sondas. También puede ocultar el mensaje de error si no desea conectar una sonda.

Aplicación de las sondas

Elija si la sonda del piso se usará como sensor de piso (Floor) o ambiental (Amb).

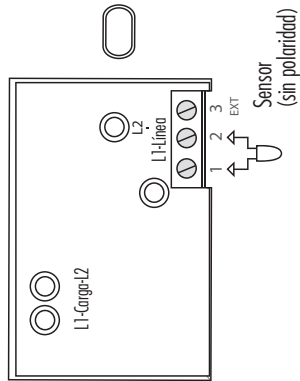
Compensar

Configure la compensación de los sensores para mejorar la exactitud.

Resetear

Esto restablecerá todas las configuraciones predeterminadas de fábrica. También puede mantener presionado durante 10 segundos el botón que está en la parte posterior del módulo frontal para resetear el sistema.

No lo utilice en lugares expuestos al agua.



Instalaciones de cables de STRATA_HEAT™

Vea la numeración del diagrama anterior.

2. Conectar a la alimentación de energía (Energizada — Máximo 240 V).
3. Conectar a la alimentación de energía (Neutral — Máximo 240 V).
4. Conectar a los cables de STRATA_HEAT (Neutral — Máximo 3600 W /15 amperios).
5. Conectar a los cables de STRATA_HEAT (Energizada — Máximo 3600 W /15 amperios).
7. Conectar al primer cable del sensor del piso (el color no es importante).
8. Conectar al segundo cable del sensor del piso (el color no es importante).

Instalación especial

Vea la numeración del diagrama anterior.

Instalación del segundo sensor: Instalación del segundo sensor: (segunda sonda del piso, o sonda exterior)

6. Conectar al primer cable del sensor externo / segundo sensor del piso.
 7. Conectar al segundo cable del sensor externo / segundo sensor del piso.
- Instalación del termostato maestro y relé:** Instalación del termostato maestro y relé. (conectar los dos juntos).
6. Conectar a la terminal 6 en otro termostato.
 7. Conectar a la terminal 7 en otro termostato.

Montaje del termostato

Vea la numeración del diagrama anterior.

1. Empuje el exceso de cable hacia atrás en la caja de la pared y vuelva a insertar el termostato en el módulo en la caja de la pared.
2. Coloque tornillos de fijación en los orificios de fijación y apriételes.
3. Asegúrese de que el termostato esté derecho antes de apretarlo completamente.
4. Reemplazo de la carcasa frontal del termostato:
 - i) alinee y coloque la carcasa frontal en las bisagras,
 - ii) presione la mitad inferior de la carcasa frontal hasta que escuche un 'clik'.
5. Asegúrese de que la carcasa frontal esté bien fija.
6. **IMPORTANTE:** Apriete ambos tornillos de retención.

Encendido

Vea la numeración del diagrama anterior.

Ahora puede encender el termostato y comenzar el proceso de programación. Para guiarlo en el resto de la configuración, se mostrará un menú fácil de seguir. Si desea encender o apagar el termostato y el sistema de calefacción, presione el botón ahuecado en la parte inferior del termostato durante 3 segundos.

Mensajes de error

Su termostato le puede mostrar dos indicaciones de error:

1. "e1": Este error se mostrará si no se detecta el sensor del piso.
2. "e2": Este error se mostrará si el sensor del piso tiene un corto circuito.

Introducción

El Termostato con Wi-Fi STRATA_HEAT™ está diseñado para ayudar a mejorar el confort de su casa al regular de manera programada su sistema de calefacción. El termostato está diseñado para recibir señales de entrada de temperatura de los siguientes sensores:

1. Sensores de aire ubicados dentro del termostato.
2. Sensor de piso instalado si utiliza calefacción debajo del piso (vea las instrucciones del Manual de instalación del Termostato con Wi-Fi STRATA_HEAT para mayores detalles).
3. Segundo sensor opcional.

El termostato no es un dispositivo de seguridad. Para evitar dañar su sistema, debe seleccionar el sistema y el tipo de piso correctos durante el proceso de programación del termostato.

Especificación eléctrica:

- Voltaje de la alimentación: 110 V/240 V +/- 15 % a 60 Hz
- El termostato no está diseñado para usarse con alimentación intermitente de energía.
- Carga máxima del interruptor: 15 A resistiva
- Clase de aislamiento: II
- Carcasa: Según los requerimientos del código eléctrico.
- Estándares: EN60730-1 y EN60730-2-9

ADVERTENCIA: Nota importante de seguridad

Este producto utiliza el voltaje eléctrico principal y únicamente un electricista calificado debe trabajar con él. Siempre debe aislar la alimentación de energía antes de intentar instalar o reparar el Termostato con Wi-Fi STRATA_HEAT™. El termostato no debe ponerse en funcionamiento a menos que esté seguro de que toda la instalación del sistema de calefacción cumple con los requerimientos generales de seguridad correspondientes a las instalaciones eléctricas. La instalación eléctrica debe realizarse según los últimos requerimientos del código eléctrico.

Ubicación

El termostato debe instalarse dentro de una caja de pared de banda única que tenga al menos 30 mm (1 -1/4 pulg.) de profundidad. Para un mejor desempeño, el termostato debe estar ubicado en un área con buena ventilación. No debe estar junto a ventanas o puertas demasiado ventiladas, bajo la luz directa del sol o arriba de otro dispositivo generador de calor (como un radiador o la televisión).

El termostato está diseñado para operar a una temperatura entre 0 y 55 °C (32 y 131 °F) con una humedad relativa menor al 80 %.

Instalación

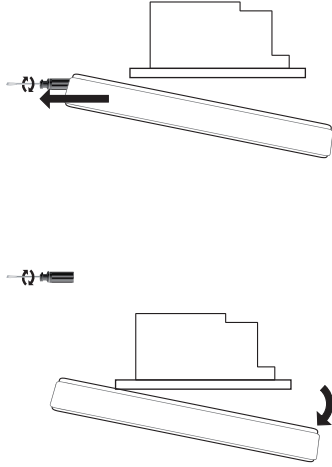
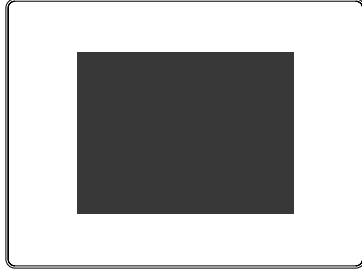
Para separar la carcasa frontal del termostato del módulo de la pared:

1. Descarrille ambos tornillos de cierre (en la parte inferior del termostato) hasta que ya no giren.
2. Para liberar la carcasa frontal, tome la mitad inferior del marco exterior y júlela hacia afuera y luego hacia arriba.
3. Coloque la carcasa frontal en un lugar seguro.
4. Pase todos los cables a la caja de la pared. Revise para asegurarse de que ha incluido lo siguiente:
 - Corriente (energizada y neutral).
 - Calentador (energizado y neutral, o energizado de interruptor únicamente).
 - Sensor de piso.
 - Sensor externo / segundo sensor del piso (si es necesario).
5. Jale los cables a través de la caja de la pared y realice el cableado de la terminal.

IMPORTANTE: Asegúrese de que los cables trenzados estén completamente insertados en las terminales, y de que estén bien fijos. Recorte cualquier hilo suelto que pueda haber quedado, pues podría ocasionar un cortocircuito.

Si conecta más de dos calentadores, se necesitará una caja de corriente eléctrica.

NOTA: Siempre asegúrese de que el cable del sensor esté instalado en un conducto separado de los cables de corriente que alimentan al termostato y al sistema de calefacción.



Visit our online Technical Assistance website: laticrete.com/technical
Visitez notre site Web d'aide technique en ligne : laticrete.com/technical
Visite nuestro sitio web de asistencia técnica: laticrete.com/technical



LATICRETE International, Inc. ■ One LATICRETE Park North, Bethany, CT 06524-3423 USA ■ 1.800.243.4788 ■ +1.203.393.0010 ■ www.laticrete.com

DS-046.2-0319 ©2019 LATICRETE International, Inc. All trademarks shown are the intellectual properties of their respective owners.