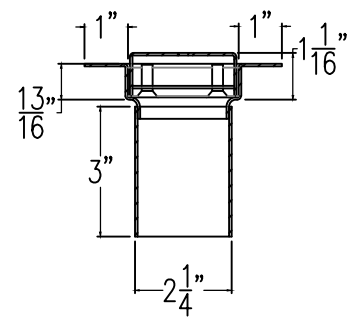
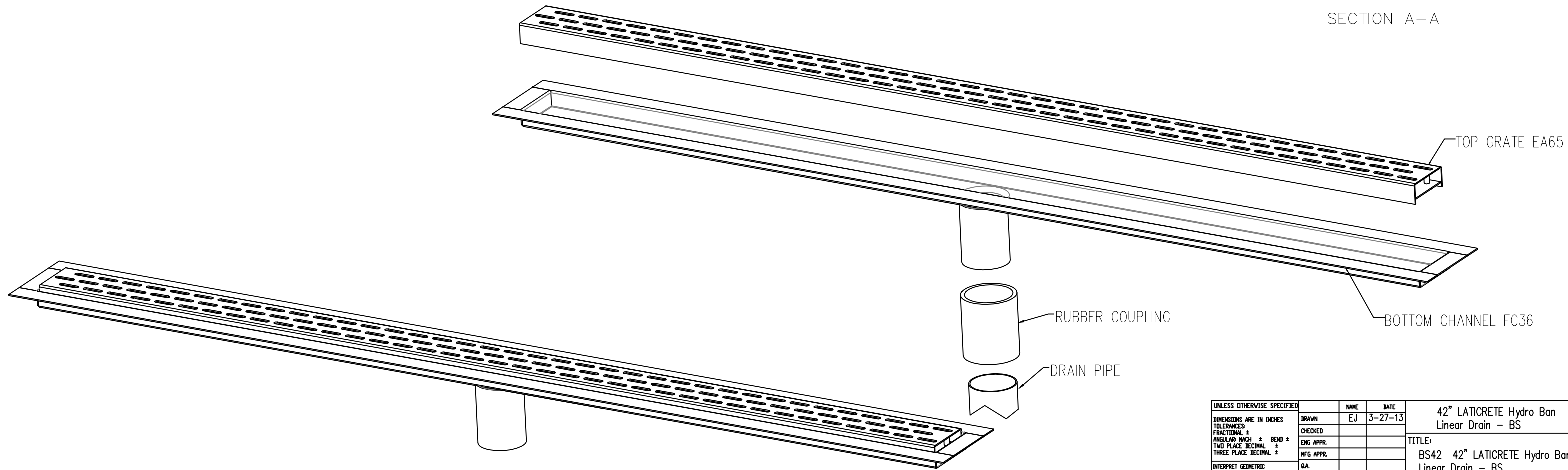


(SCREWS CAN BE ADJUSTED FOR UP TO 1/2" ADDITIONAL HEIGHT)



SECTION A-A



UNLESS OTHERWISE SPECIFIED:		NAME	DATE	42" LATICRETE Hydro Ban Linear Drain - BS
DIMENSIONS ARE IN INCHES		EJ	3-27-13	
TOLERANCES:		CHECKED		TITLE: BS42 42" LATICRETE Hydro Ban Linear Drain - BS
FRACTIONAL ±		ENG APPR.		
ANGULAR MATCH ± BEND ±		QA		
TWO PLACE DECIMAL ±				SIZE DWG. NO. FFED65 EA 42
THREE PLACE DECIMAL ±				
INTERPRET GEOMETRIC TOLERANCING PER:		COMMENTS: Screws can be adjusted for up to 1/2" (12mm) additional height		
MATERIAL				SCALE: 1/2"
FINISH				WEIGHT:
				SHEET 1 OF 1