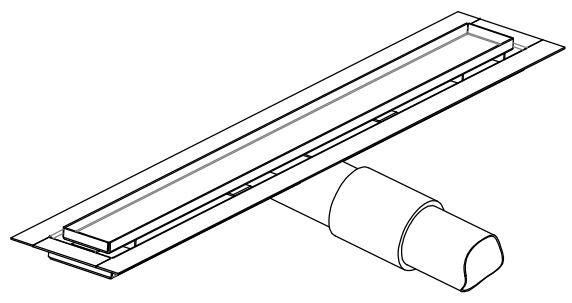
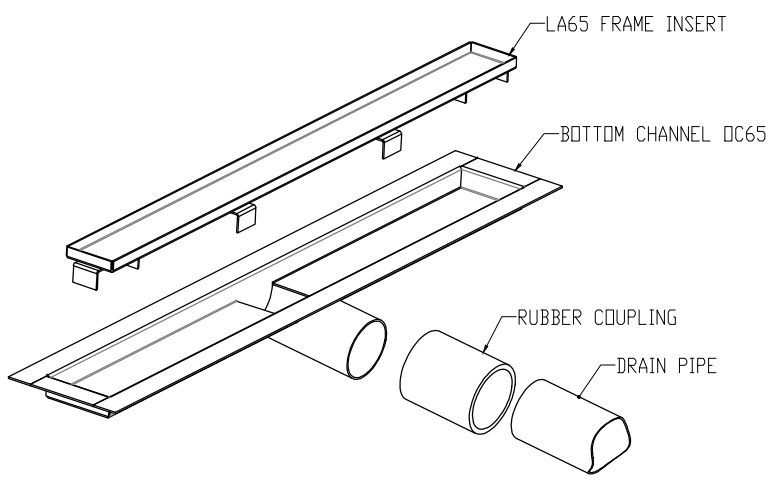


SECTION A-A



UNLESS OTHERWISE SPECIFIED:		NAME	DATE	INFINITY DRAIN	
DIMENSIONS ARE IN INCHES	DRAWN	CT	12-20-12	TITLE:	
TOLERANCES:	CHECKED			36" LATICRETE Hydro Ban	
FRACTIONAL ±	ENG APPR.			TI Linear Drain - Side Outlet	
ANGULAR: MACH ± BEND ±	MFG APPR.			SIZE DWG. NO.	REV
TWO PLACE DECIMAL ±	D.A.			D	T136 SD
THREE PLACE DECIMAL ±	COMMENTS:			SCALE: 1:2	WEIGHT:
INTERPRET GEOMETRIC TOLERANCING PER:					SHEET 1 OF 1
MATERIAL:					
FINISH:					