

8

7

6

5

4

3

2

1

F

E

D

C

B

A

F

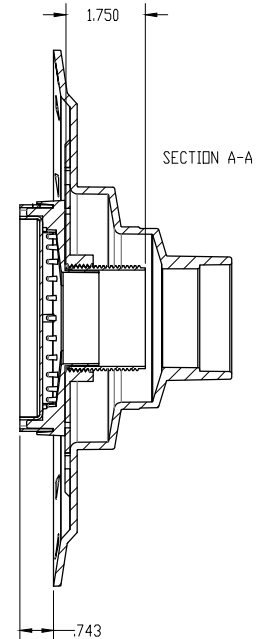
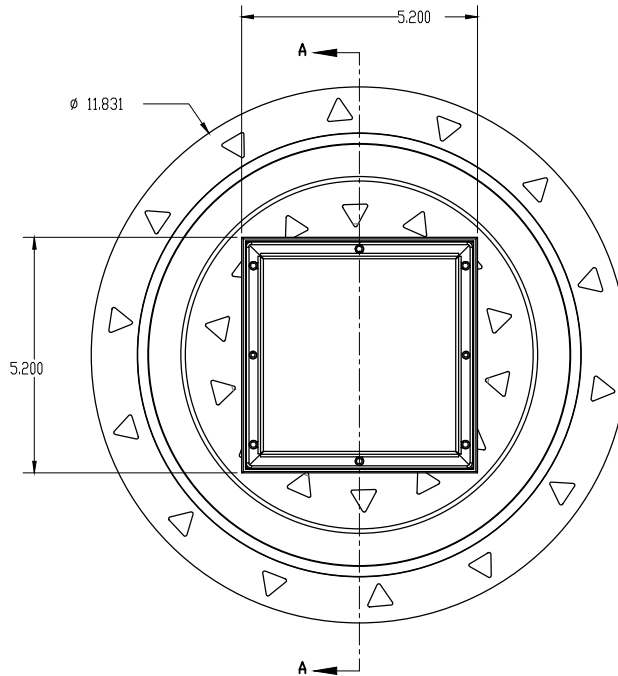
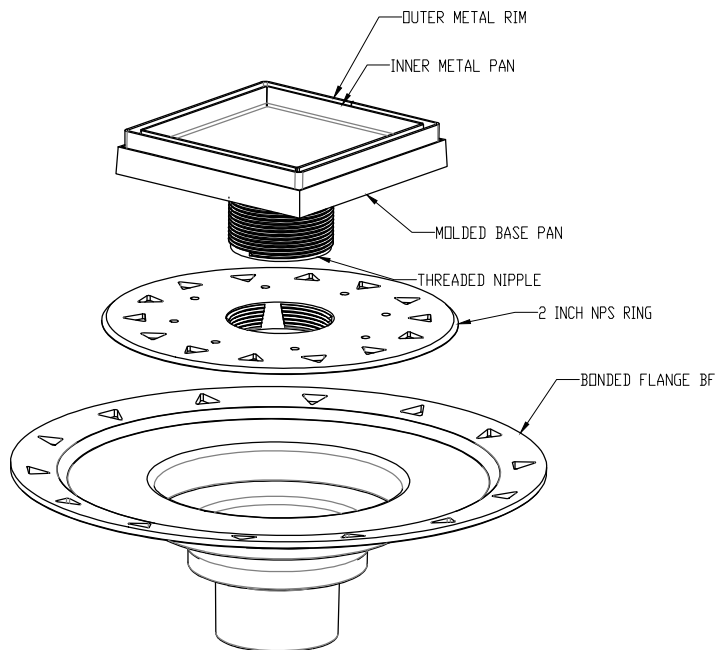
E

D

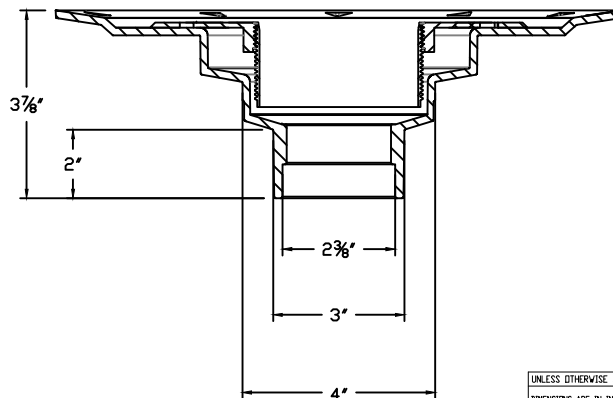
C

B

A



*NOTE: DRAIN HEIGHT CAN BE ADJUSTED UPWARD BY AN ADDITIONAL 1.4"



UNLESS OTHERWISE SPECIFIED	NAME	DATE	LATICRETE Hydro Ban Bonding Flange Drain-Tile In	
DIMENSIONS ARE IN INCHES	DRAWN	CT	7-30-12	TITLE:
TOLERANCES:	CHECKED			BFDT12 LATICRETE Hydro Ban Bonding Flange Drain
FRACTIONAL ±	ENG APPR:			SIZE DWG. NO.
ANGULAR MATCH ± BEND ±	ENG APPR:			C ASSEMBLY
TWO PLACE DECIMAL ±	MFG APPR:			REV
THREE PLACE DECIMAL ±	QA:			
INTERPRET GEOMETRIC TOLERANCING PER:	COMMENTS:			
MATERIAL:				
FRESH:				
DO NOT SCALE DRAWING				
			SCALE: 1:2	WEIGHT:
				SHEET 1 OF 1

8

7

6

5

4

3

2

1