



# Measuring A Room To Receive Floor HEAT/Floor Warming TDS 231

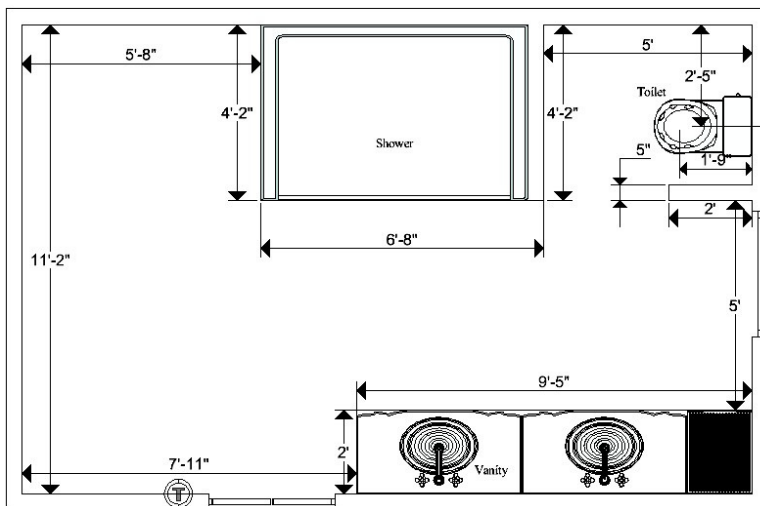
Submitting an accurate drawing is crucial for the LATICRETE Floor Heat Design team to properly estimate and pick the correct LATICRETE Floor Heat system for your project. The goal is to achieve maximum heated area, without compromising customer satisfaction, while making installation faster and easier. Below are detailed instructions on how to properly measure your project, and provide the necessary information to the LATICRETE Floor Heat Design team.

## How to Measure Your Project Room:

Materials required:

- Tape Measure
- Pencil with eraser
- Paper
- Measuring instructions

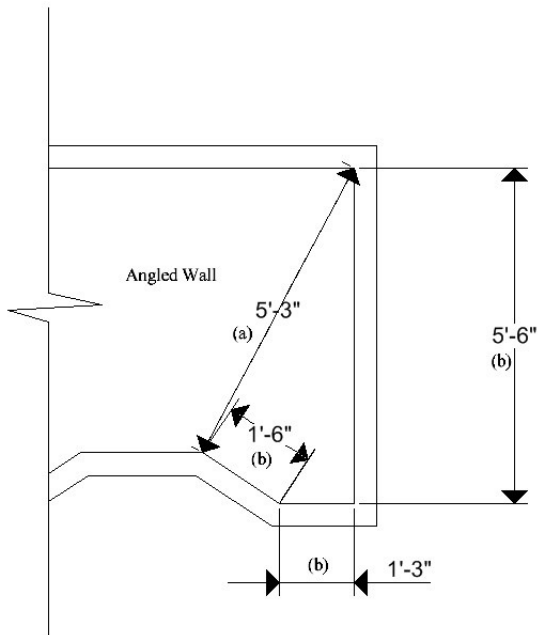
1. Draw a rough sketch of the room.
2. Choose location of thermostat and mark it with a "T" on drawing paper (use graph paper if available).
3. Measure inside dimension of the room beginning at the thermostat location (round up to nearest ½ inch).
4. Locate all fixtures, toilets, showers, tubs, floor cabinets, columns, etc... on the drawing.
5. Please indicate required voltage of installation if known. Consult a licensed electrician if electrical service type is unknown.
6. Mark floor vent dimensions and locations, see procedure below for example.
7. See specific instructions below for measuring curves, inside walls, vents and angles that are not square.



Example of measured drawing.

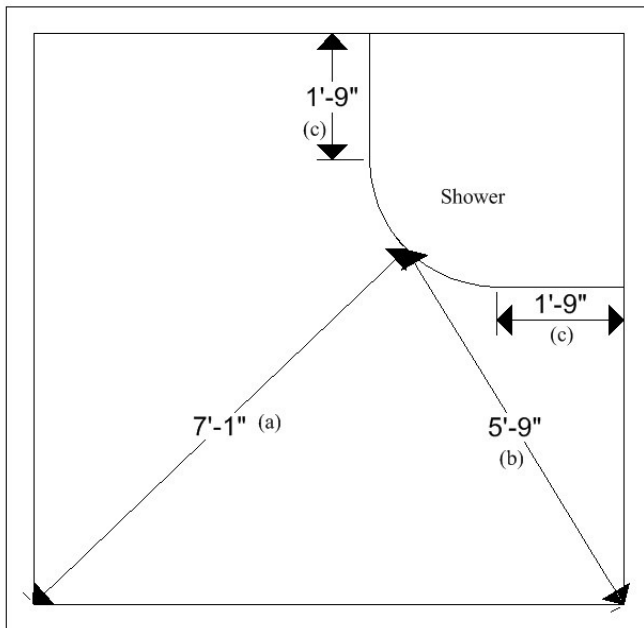
### Measuring Angled Walls:

1. Measure from corner of angled wall to opposite corner (a)
2. Measure all adjacent walls and connected walls (b)



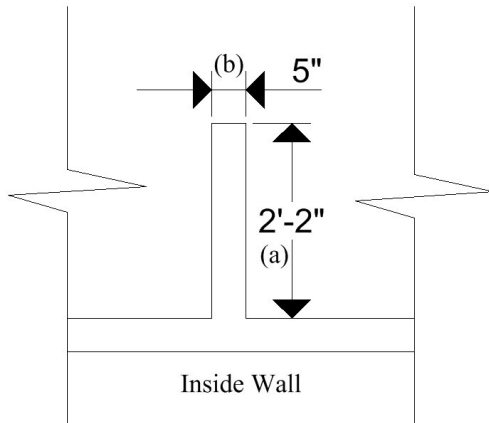
### Measuring Radiuses:

1. Measure from curve apex to opposite corner wall (a)
2. Measure from apex to a second adjacent corner (b)
3. Measure from wall to start of curve, and from wall to end of curve (c)



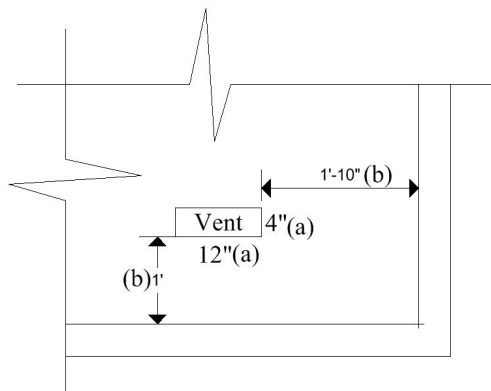
## Measuring Inside Walls:

1. Measure Length of wall (Make sure length is the same on each side) (a)
2. Measure width (thickness) of wall (b)



## Locating vent:

1. Measure vent size (a)
2. Measure distance from 2 closest walls (b)



LATICRETE offers an online drawing tool that is user friendly and submits properly formatted drawings to the LATICRETE Floor Heat Design Team. This method will not only assure that there will be minimal errors on our part, but it will also assure a faster turnaround time. Please visit the link below to register and get started: [http://www.laticrete.com/architects/products/floor\\_warming/room\\_design\\_tool.aspx](http://www.laticrete.com/architects/products/floor_warming/room_design_tool.aspx). For all paper drawings, please submit either by email at [FloorHeat@laticrete.com](mailto:FloorHeat@laticrete.com), or by fax: 866-537-4638. Remember that having more information is better than not enough and will greatly improve turnaround time and efficiency of the process. The LATICRETE Floor Heat Design Team will use the provided information to specify the correct Floor Heat system and the bet layout, and will provide the information quickly and efficiently.

Technical Data Sheets are subject to change without notice. For latest revision, check our website at [www.laticrete.com](http://www.laticrete.com)  
TDS231.doc R 28 August 2013



**LATICRETE INTERNATIONAL, INC.** ▪ 1 LATICRETE Park North ▪ Bethany, CT 06524-3423 USA  
800.243.4788 ▪ [support@laticrete.com](mailto:support@laticrete.com) ▪ [www.laticrete.com](http://www.laticrete.com)

©2013 LATICRETE INTERNATIONAL, INC. All trademarks shown are the intellectual properties of their respective owners.